

NEQS 1610 Series Omnidirectional Collinear Antenna (1610-2)

Brand: NEQS

P/N: 1610-2

- **Small diameter fiberglass construction**
Reduced wind loading.
- **Copper radiating elements**
Minimizes the possibility of intermod generation.
- **6061-T6 Aluminum support pipe**
Corrosion resistant for extended service.



Description

The 1610 Collinear Antenna is specifically designed to meet omnidirectional requirements for repeated control stations. This antenna is end-fed, utilizing copper alloy radiating elements encased in a weather resistant 6061-T6 support pipe. Minimal wind resistance conserves tower loading capacity.

Electrical Specifications

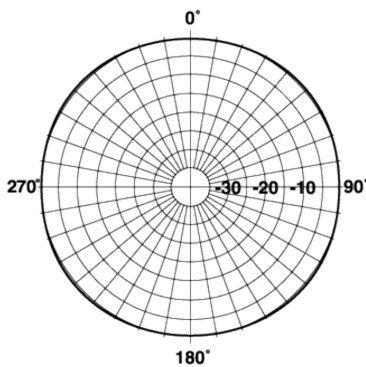
Frequency Range – MHz	820-880
Gain – dBd (dBi)	4.0 (6.1)
Bandwidth – MHz for 1.5:1 VSWR	60
Vertical Beamwidth – Degrees	25
Polarization	Vertical
Maximum Power Input – Watts	500
Electrical Tilt – Degrees	0
Lightning Protection	Direct Ground
Termination – Direct Fixed	N-female

Mechanical Specifications

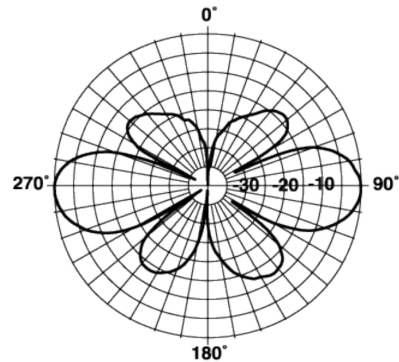
Overall Length – ft. (m)	3.5 (1.1)
Element Housing Length – ft. (m)	2.5 (.076)
Support Pipe Diameter – in. (m)	1.66 (.04)
Support Pipe Length – ft. (m)	1.0 (.30)
Weight – lbs. (kg)	4 (1.81)
Radiating Element Material	Copper Alloy
Element Housing Material	1.5 in. (38mm) Diameter Fiberglass Radome
Support Pipe Material	6061-T6 Aluminum
Max Wind Loading Area (Flat Plate Equivalent) – ft2 (m2)	.30 (.03)
Rated Wind Speed – mph (km/hr)	150 (240)
Bending Moment @ Rated Wind 1 in. Below Top of Support Pipe ft lbf (N m)	36 (49)
Side Thrust @ Rated Wind – lbf (N)	27 (120)
Mounting Hardware – Supplied	46 Clamp Set

Shipping Specifications

Shipping Weight – lbs. (Kg)	17 (7.7)
Shipping Dimensions - WxDxH – ft (m)	5.6 x .33 x .33 (1.7 x .10 x .10)



Horizontal Pattern



Vertical Pattern