

NEQS Unity Antenna Omni-Directional Fiberglass Antenna (10022-3)

Brand: NEQS

P/N: 10022-3

- **Small Diameter fiberglass construction**
Reduced wind loading.
- **6061-T6 Aluminum support pipe**
Corrosion resistant for extended service.
- **Copper radiating elements**
Minimizes possibility of intermod generation.



Description

The 10022 is ideal for conventional, trunking, cellular and paging applications that require a wide vertical beamwidth. The antenna is constructed of copper alloy radiating elements with a protective fiberglass housing and support pipe of 6061-T6 aluminum. The antenna's surface area creates minimal wind resistance to conserve tower loading capacity.

Electrical Specifications

Frequency Range – MHz	880-960
Gain – dBd (dBi)	0 (2.1)
Bandwidth – MHz for 1.5:1 VSWR	70
Impedance, Ohms	50
Vertical Beamwidth – Degrees	80
Polarization	Vertical
Maximum Power Input – Watts	500
Electrical Tilt – Degrees	0
Lightning Protection	Direct Ground
Termination – Direct Fixed	N-female

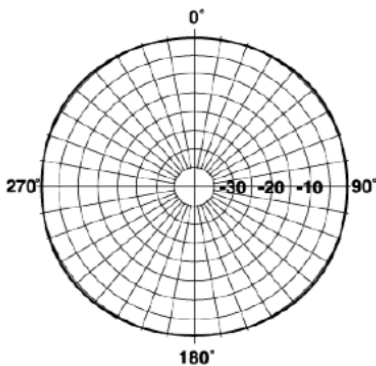
Mechanical Specifications

Overall Length – ft. (m)	1.7 (0.52)
Element Housing Length – ft. (m)	1.0 (0.30)
Support Pipe Diameter – in. (m)	1.66 (0.04)
Support Pipe Length – ft. (m)	0.7 (0.21)
Weight – lbs. (kg)	1.6 (0.7)
Radiating Element Material	Copper Alloy
Element Housing Material	Fiberglass
Support Pipe Material	6061-T6 Aluminum
Max Wind Loading Area (Flat Plate Equivalent) – ft2 (m2)	.14 (.013)
Rated Wind Speed – mph (km/hr)	150 (240)
Bending Moment @ Rated Wind 1” Below Top of Support Pipe ft lbf (N m)	7.6 (10.3)
Side Thrust @ Rated Wind – lbf (N)	13 (58)
Mounting Hardware – Supplied	89 Clamp Set

Shipping Specifications

Shipping Weight – lbs. (Kg)	9.0 (4.08)
Shipping Dimensions of Antenna - WxDxH – ft (m)	3.4 x .33 x .33 (1.0 x .1 x .1)

Horizontal Pattern



Vertical Pattern

