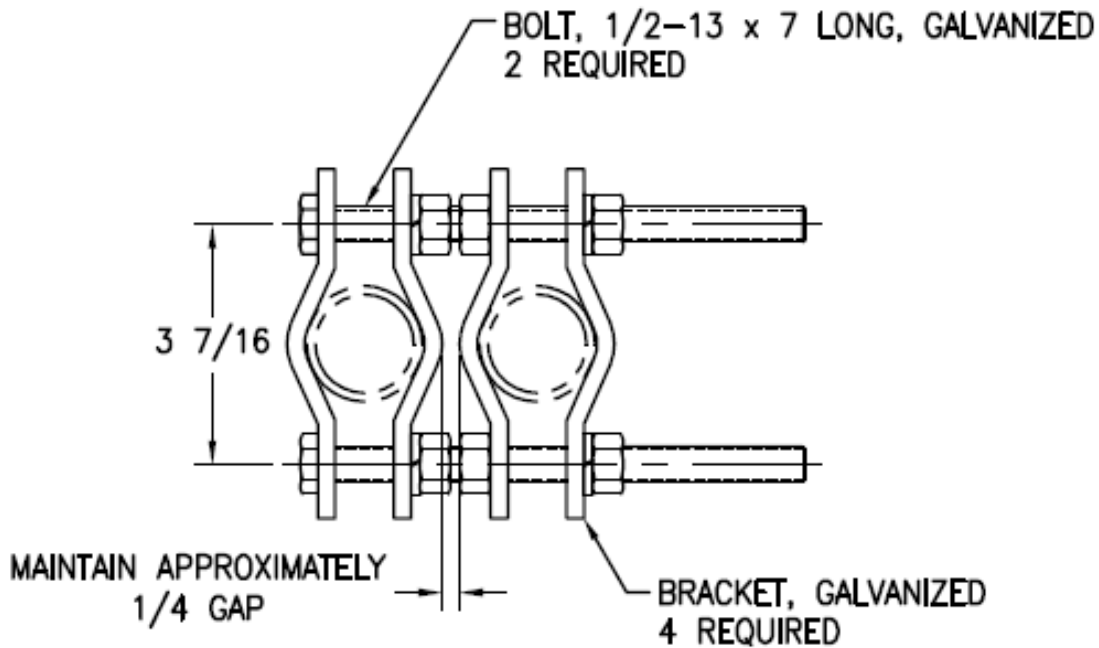
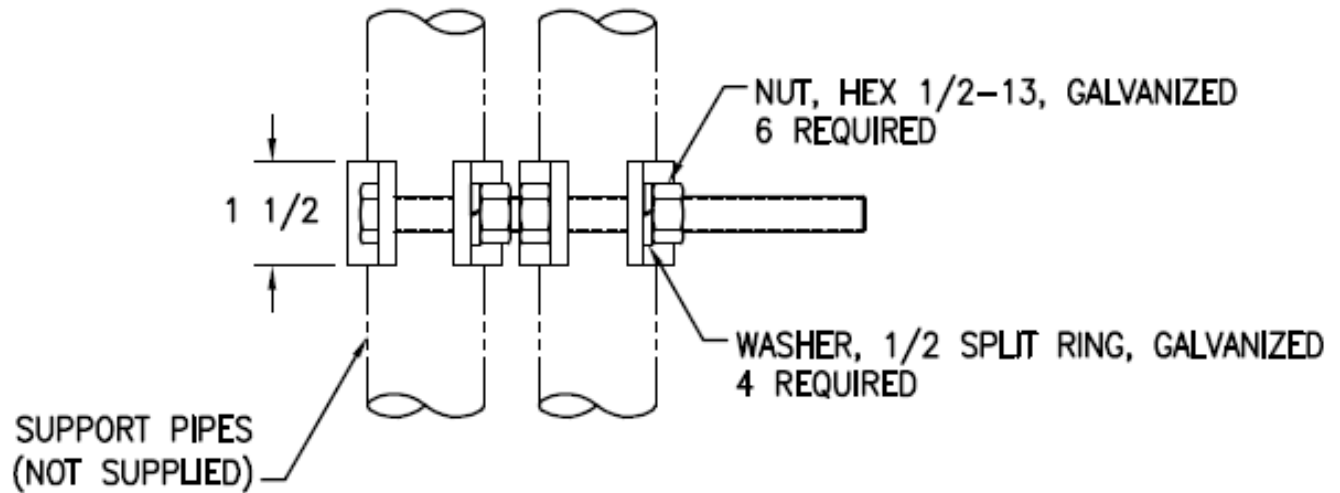


89 CLAMP SET (OFFSET MOUNT) UNIVERSAL ANTENNA MOUNTING

READ ALL INSTRUCTIONS CAREFULLY BEFORE STARTING INSTALLATION



NOTES:

1. ADJUSTABLE FROM $1\frac{5}{16}$ OD PIPE TO $2\frac{3}{4}$ OD PIPE.
2. TIGHTENING TORQUE ON NUT: 45-50 ft-lbs.

REMINDER: SAFETY FIRST!



**NORTHEAST
QUALITY SERVICE**

Northeast Quality Service
U.S. Headquarters
14 Alcap Ridge
Cromwell, CT 06416

Phone: 860.632.7242
Fax: 560.632.7220