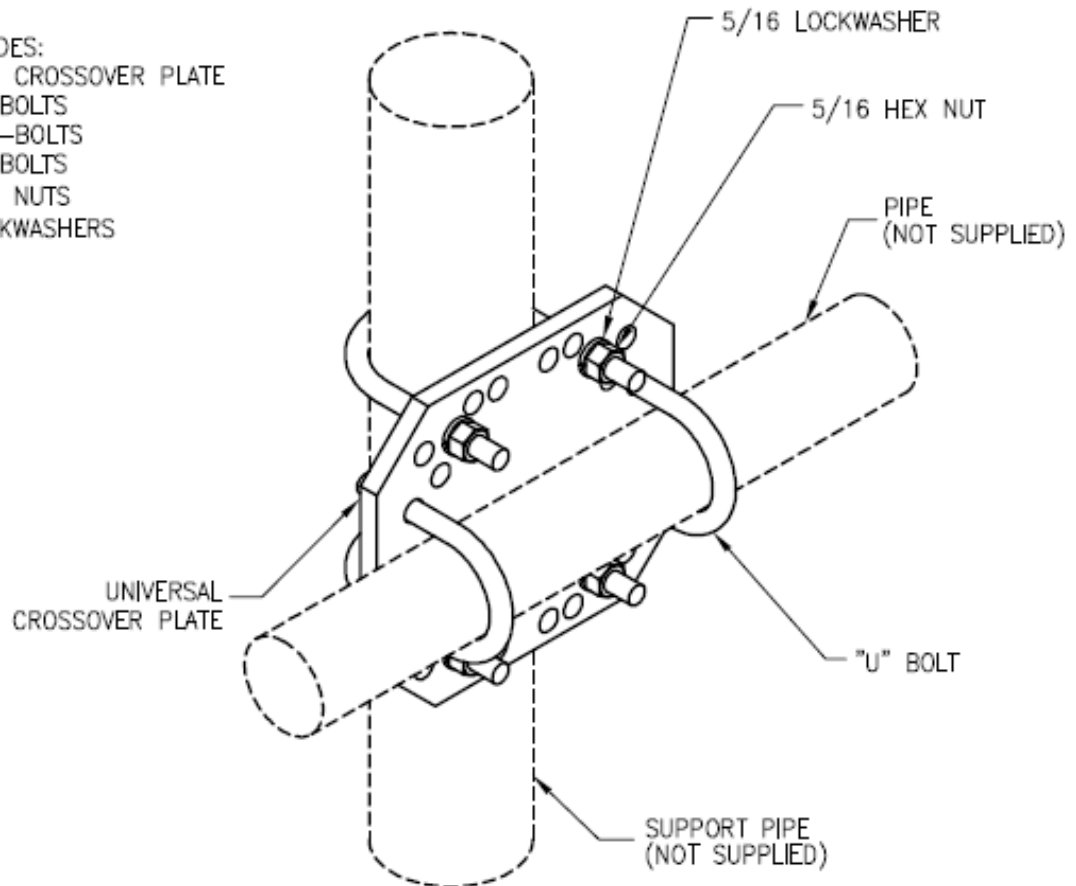


UNIVERSAL CROSSOVER CLAMP ASSEMBLY 237

READ ALL INSTRUCTIONS CAREFULLY BEFORE STARTING INSTALLATION

PACKAGE INCLUDES:

- 1- UNIVERSAL CROSSOVER PLATE
- 4- SMALL U-BOLTS
- 4- MEDIUM U-BOLTS
- 4- LARGE U-BOLTS
- 8- 5/16 HEX NUTS
- 8- 5/16 LOCKWASHERS



MOUNTING INSTRUCTIONS

- 1) Adjustable for securing any combination of two intersecting pipes of the following sizes:
 - 1 5/16 IN (33MM) Outside Diameter
 - 1 15/16 IN (49MM) Outside Diameter
 - 2 3/8 IN (60MM) Outside Diameter
- 2) When tightening nut on u-bolts, tighten to 10-12 ft-lbs for each side of the u-bolt.

REMINDER: SAFETY FIRST!



**NORTHEAST
QUALITY SERVICE**