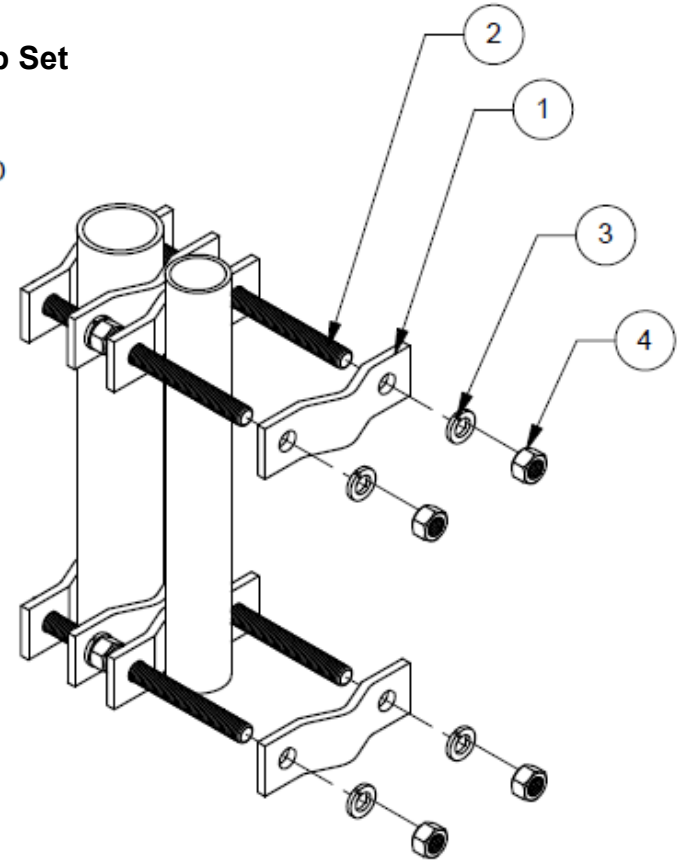
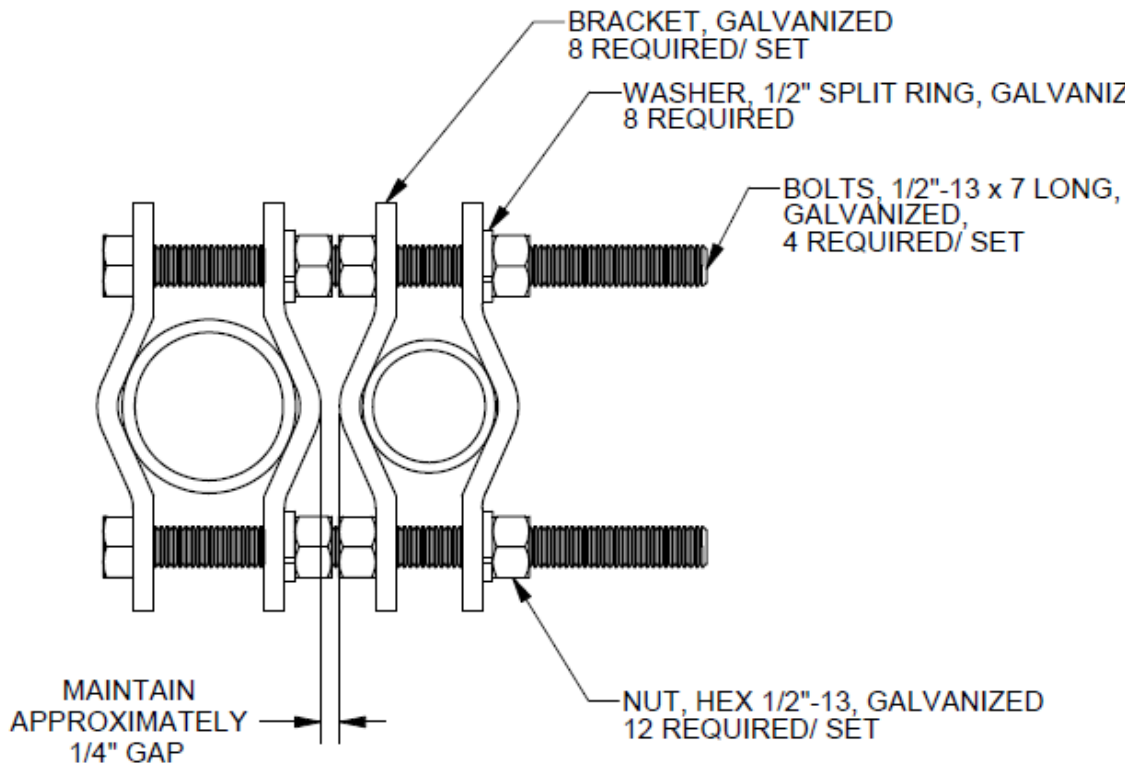


**46 Clamp (Offset Mounting)
Universal Antenna Mounting Clamp Set**



NOTES:

1. ADJUSTABLE FROM 1 5/16" PIPE TO 2 3/4" OD PIPE.
2. TIGHTENING TORQUE ON NUT: 45-50 ft-lbs.



**NORTHEAST
QUALITY SERVICE**

Northeast Quality Service
U.S. Headquarters
14 Alcap Ridge
Cromwell, CT 06416

Phone: 860.632.7242
Fax: 560.632.7220